

An Implementation of Well Organized Delay-Area Carry Select Adder

Ranjit Chandrakant Gawande, Mr. Vinodkumar P. Patil,

ME-II, Nagaon Education Society's Gangamai College of Engineering, Nagaon, Tal Dist– Dhule, (M.S.), India
Assistant Professor, Department Electronics & Telecommunication Engg., Nagaon Education Society's Gangamai
College of Engineering, Nagaon, Tal Dist-Dhule (M.S.), India

ABSTRACT: The logic operations used in conventional carry select adder (CSLA) and BEC-based carry select adder (CSLA) i.e., binary to excess-1 converter based carry select adder are estimated in this paper, to study the data dependence and to identify the unnecessary logic functions. In this paper, all the unnecessary logic functions built-in in the conventional CSLA are removed and we proposed a new logic formation for CSLA. In the proposed method, the carry select (CS) function is considered before the calculation of final-sum which is different from the conventional method. Bit patterns of two considered carry words ($c_{in} = 0$ and 1) and fixed c_{in} bits are used for logic development of CS and generation units. A capable CSLA design is obtained using improved logic units. The projected carry select adder (CSLA) design utilizes significantly less area and delay than the recently proposed BEC-based carry select adder. Because of the small carry-output delay, the planned CSLA design is a high-quality nominee for square-root (SQRT) CSLA. A theoretical approximation shows that the proposed SQRT-CSLA occupy almost 35% less area–delay–product (ADP) than the BEC-based SQRT-CSLA, which is most excellent between the existing SQRT-CSLA designs, for the different input bit-widths.

I. INTRODUCTION

Plan of high speed digital adders with well-organized area and delay is one of the main parts of study in VLSI system design. Adders are the most important part in microprocessors and digital signal processors systems. The RCA i.e., Ripple Carry Adders have the most compact design among the all type of adders, they are the slowest type of adders. On the other hand, Carry Look-ahead Adders (CLAs) are the fastest adders, but their area requirement is large. Carry Select Adders have the advantages of both RCAs and CLAs, as it has the best area like RCAs and the short delay like CLAs. The speed of addition in digital adders is limited by the time required to circulate a carry through the adder. The addition for every bit points in all adders is created in series, only after the prior bit position has been summed and a carry is propagated into the next position. The CSLA is used in a number of arithmetic systems to solve the complexity of carry propagation delay by independently generating several carry and then choose a carry to generate the final sum [1] [2].

A regular carry select adder (CSLA) is an RCA–RCA design that forms a pair of sum words and output carry bits matching to the possible input-carry ($c_{in} = 0$ and $c_{in} = 1$) and choose one out of each pair for final-sum and final-output-carry [1]. A regular CSLA has less carry propagation delay (CPD) than an RCA, but the design is not as fine as it uses a dual RCA. Few hard works have been set to avoid dual use of RCA in CSLA design. Kim and Kim [4] used one RCA and one add-one circuit instead of two RCAs, where the add-one circuit is designed using a multiplexer (MUX). Y. He, C. H. Chang, and J. Gu. [7] proposed a square-root (SQRT)-CSLA to execute large bit-width adders with less delay. In a SQRT CSLA, CSLAs with growing size are connected in a cascading arrangement. The major purpose of SQRT-CSLA design is to offer a parallel path for carry propagation that helps to reduce the total adder delay. Here Ramkumar and Kittur [9] suggested a binary to BEC-based carry select adder (CSLA). The BEC-based carry select adder includes fewer logic resources than the conventional CSLA, but it has slightly higher delay. A CSLA based on Common Boolean Logic (CBL) is also proposed in [10] and [11]. The CBL-based CSLA [10] uses very less logic resource than the conventional CSLA but it has longer CPD, which is nearly equal to that of the RCA. To solve this problem, a SQRT-CSLA based on CBL was projected in [11]. However, the CBL-based SQRT-CSLA design of [11] involves extra logic resource and delay than the BEC-based SQRT-CSLA of [9]. We examine that logic

International Journal of Innovative Research in Science, Engineering and Technology

(An ISO 3297: 2007 Certified Organization)

Vol. 6, Special Issue 11, May 2017

optimization largely depends on accessibility of unneeded operations in the formulation, while adder delay mostly depends on data dependence. In the presented designs, logic is optimized without giving any consideration to the data dependence. In this paper, we arranged an analysis on logic operations occupied in conventional and BEC-based CSLAs to study the data dependence and to identify unneeded logic functions.

Based on this study, we have designed a new logic formulation for the CSLA. The main part of this paper is logic formulation based on data dependence and optimized carry generator (CG) and carry select unit (CS) design. Based on this proposed logic formulation, we have created a capable logic design for CSLA. Due to improved logic units, the expected CSLA occupy considerably less ADP than the existing CSLAs. We have shown that the SQRD-CSLA using the proposed CSLA design engage almost 32% fewer ADP than that of the corresponding SQRD-CSLA. Logic formulation of CSLA is presented in Section II. The proposed CSLA is presented in Section III and the performance estimation method is presented in Section IV and the conclusion is given in Section V.

II. LOGIC FORMATION

The CSLA has two units: 1) the sum and carry generator unit (SCG) and 2) the sum and carry selection unit [12]. The SCG unit uses a large amount of the logic resources of CSLA and considerably put in to the critical path. Different logic designs have been recommended for well-organized implementation of the SCG unit. We have made a study of the logic designs recommended for the SCG unit of conventional and BEC-based CSLAs of [9] by proper logic expressions. The main purpose of this study is to identify unneeded logic functions and data dependence. Therefore, we remove all unneeded logic function and sequence logic operations based on their data dependence.

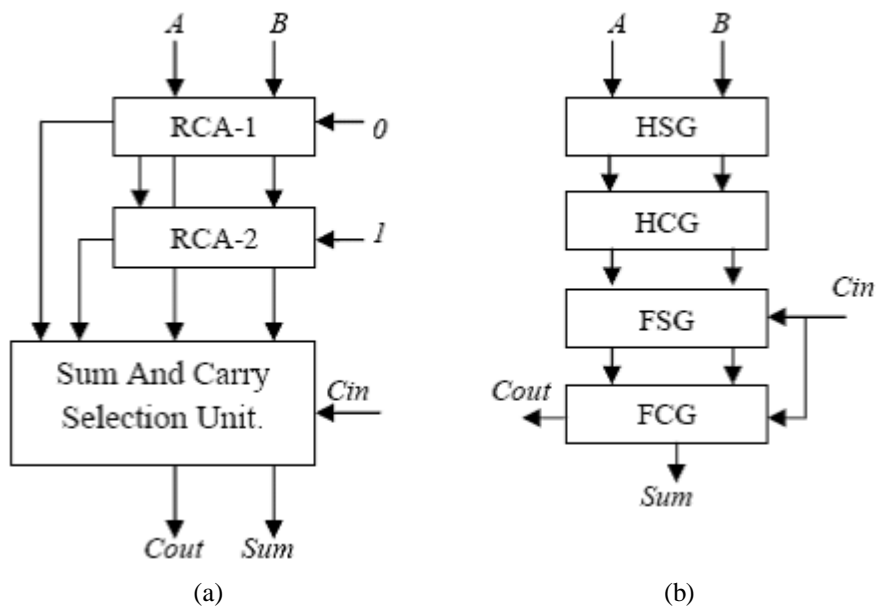


Fig. 1. (a) Conventional CSLA (b) The logic operations of the RCA is shown in split form, where HSG, HCG, FSG, and FCG represent half-sum generation, half-carry generation, full-sum generation, and full-carry generation, respectively.

A. Logic Expressions of the SCG Unit of the Conventional CSLA.

As shown in Fig. 1(a), the SCG unit of the conventional CSLA [1] is collected of two n-bit RCAs, where n is the adder bit-width. The logic operation of the n-bit RCA is executed in four stages: 1) half-sum generation (HSG); 2) half-carry generation (HCG); 3) full-sum generation (FSG); and 4) full carry generation (FCG). Assume two n-bit operands are added in the conventional CSLA, then RCA-1 and RCA-2 produce n-bit sum (s^0 and s^1) and output-carry (c_{out}^0 and c_{out}^1) similar to input-carry ($c_{in} = 0$ and $c_{in} = 1$), correspondingly. Logic expressions of RCA-1 and RCA-2 of the SCG unit of the n-bit CSLA are given as

$$s^0_o(i) = A(i) \oplus B(i) \quad c^0_o(i) = A(i) \cdot B(i) \quad \text{-----(1a)}$$

International Journal of Innovative Research in Science, Engineering and Technology

(An ISO 3297: 2007 Certified Organization)

Vol. 6, Special Issue 11, May 2017

$$s_0^0(i) = s_0^0(i) \oplus c_0^0(i-1) \text{-----} (1b)$$

$$c_0^1(i) = c_0^0(i) + s_0^0(i) \cdot c_0^1(i-1) \quad c_{out}^0 = c_0^1(n-1) \text{-----} (1c)$$

$$s_1^0(i) = A(i) \oplus B(i) \quad c_1^0(i) = A(i) \cdot B(i) \text{-----} (2a)$$

$$s_1^1(i) = s_1^0(i) \oplus c_1^1(i-1) \text{-----} (2b)$$

$$c_1^1(i) = c_1^0(i) + s_1^0(i) \cdot c_1^1(i-1) \quad c_{out}^1 = c_1^1(n-1) \text{-----} (2c)$$

Where $c_0^1(-1) = 0$, $c_1^1(-1) = 1$, and $0 \leq i \leq n-1$.

As shown in (1a) – (1c) and (2a) – (2c), the logic expression of $\{s_0^0(i), c_0^0(i)\}$ is the same to that of $\{s_1^0(i), c_1^0(i)\}$. These unneeded logic operations can be removed to have an optimized design for RCA-2, in which the HSG and HCG of RCA-1 is shared to construct RCA-2. Based on this, [4] and [7] have used an add-one circuit as an alternative of RCA-2 in the CSLA, in which a BEC circuit is used in [9] for the similar reason. While the BEC-based CSLA offers the best area–delay–power efficiency among the existing CSLAs, we discuss here the logic expressions of the SCG unit of the BEC-based CSLA as well.

B. Logic Expression of the SCG Unit of the BEC-Based CSLA.

As shown in Fig.2, the RCA calculates n-bit sum s_1^0 and c_{out}^0 equivalent to $c_{in} = 0$. The BEC unit gets s_1^0 and c_{out}^0 from the RCA and creates (n + 1)-bit excess-1 code. The most significant bit (MSB) of BEC signifies c_{out}^1 , in which n least significant bits (LSBs) correspond to s_1^1 . The logic expressions of the RCA are the similar as those given in (1a)–(1c).

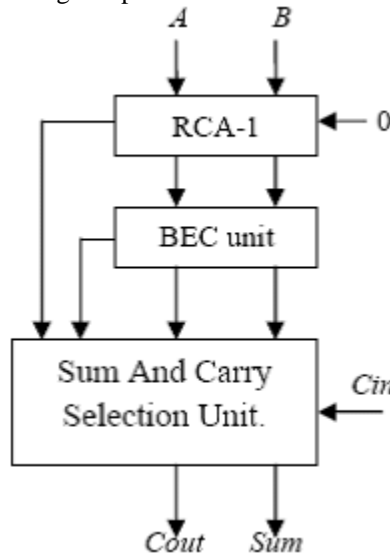


Fig.2. Structure of the BEC-based CSLA.

The logic expressions of the BEC unit of the n-bit BEC-based CSLA are given as

$$s_1^1(0) = s_1^0(0) \quad c_1^1(0) = s_1^0(0) \text{-----} (3a)$$

$$s_1^1(i) = s_1^0(i) \oplus c_1^1(i-1) \text{-----} (3b)$$

$$c_1^1(i) = s_1^0(i) \cdot c_1^1(i-1) \text{-----} (3c)$$

$$c_{out}^1 = c_1^0(n-1) \oplus c_1^1(n-1) \text{-----} (3d)$$

We can find out from (1a)–(1c) and (3a)–(3d) that, in the case of the BEC-based CSLA, c_1^1 depends on s_1^0 , which otherwise has no dependence on s_1^0 in the case of the conventional CSLA. The BEC technique increases data dependence in the CSLA. We have considered logic expressions of the conventional CSLA and made a more study on the data dependence to find an optimized logic expression for the CSLA. It is exciting to note from (1a)–(1c) and (2a)–(2c) that logic expressions of s_1^0 and s_1^1 are the same except the terms c_0^1 and c_1^1 since ($s_0^0 = s_1^0 = s_0$). In addition, we find that c_0^1 and c_1^1 depend on $\{s_0, c_0, cin\}$, where $c_0 = c_0^0 = c_1^0$. Since c_0^1 and c_1^1 have no dependence on s_1^0 and s_1^1 , the logic operation of c_0^1 and c_1^1 can be planned before s_1^0 and s_1^1 , and the select unit can select one from the set (s_1^0, s_1^1) for the final-sum of the CSLA. We find that a major amount of logic resource is used up for calculating $\{s_1^0, s_1^1\}$, and it is not an efficient way to reject one sum-word after the calculation. In its place, one can select the necessary carry

International Journal of Innovative Research in Science, Engineering and Technology

(An ISO 3297: 2007 Certified Organization)

Vol. 6, Special Issue 11, May 2017

word from the expected carry words $\{c_0$ and $c_1\}$ to calculate the final-sum. The selected carry bits are added with the half-sum (s_0) to produce the final-sum (s). Using this method, one can have three design advantages:

- Calculation of s_1^0 can be removed in the SCG unit.
- The n-bit select unit can be required as an alternative of the (n + 1) bit.
- Small output-carry delay.

All these advantages result in an area-delay and energy-efficient design for the CSLA. We have removed all the unnecessary logic operations of (1a)–(1c) and (2a)–(2c) and rearranged logic expressions of (1a)–(1c) and (2a)–(2c) based on their dependence. The proposed logic formulation for the CSLA is given as

$$\begin{aligned}
 s_0(i) &= A(i) \oplus B(i) \quad c_0(i) = A(i) \cdot B(i) & (4a) \\
 c_1^0(i) &= c_1^0(i-1) \cdot s_0(i) + c_0(i) \text{ for } c_1^0(0) = 0 & (4b) \\
 c_1^1(i) &= c_1^1(i-1) \cdot s_0(i) + c_0(i) \text{ for } c_1^1(0) = 1 & (4c) \\
 c(i) &= c_1^0(i) \text{ if } (cin = 0) & (4d) \\
 c(i) &= c_1^1(i) \text{ if } (cin = 1) & (4e) \\
 c_{out} &= c(n-1) & (4f) \\
 s(i) &= s_0(i) \oplus c_{in}(i) = s_0(i) \oplus c(i-1) & (4g)
 \end{aligned}$$

III. PROJECTED ADDER DESIGN

The proposed CSLA is based on the logic formulation given in (4a)–(4g), and its structure is shown in Fig. 3(a). It consists of one HSG unit, one FSG unit, one CG unit, and one CS unit. The CG unit is collected of two CGs (CG_0 and CG_1) equivalent to input-carry '0' and '1'. The HSG gets two n-bit operands (A and B) and produces half-sum word s_0 and half-carry word c_0 of width n-bits each. Both CG_0 and CG_1 get s_0 and c_0 from the HSG unit and make two n-bit full-carry words c_1^0 and c_1^1 related to input-carry, $Cin=0$ and $Cin=1$, equally. The logic circuits of CG_0 and CG_1 are optimized to take advantage of the fixed input-carry bits.

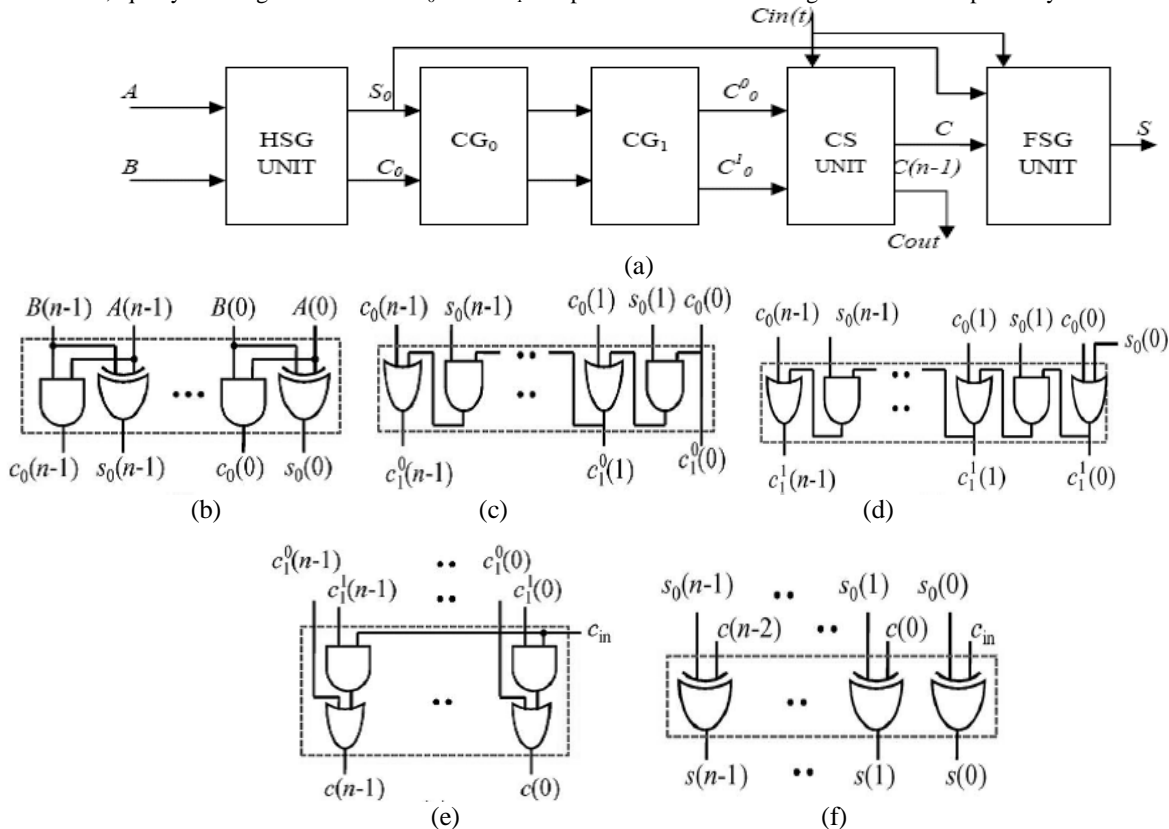


Fig. 3. (a) Proposed CS adder design, where n is the input operand bit-width. (b) Gate-level design of the HSG. (c) Gate-level optimized design of (CG_0) for input-carry = 0. (d) Gate-level optimized design of (CG_1) for input-carry = 1. (e) Gate-level design of the CS unit. (f) Gate-level design of the final-sum generation (FSG) unit.

International Journal of Innovative Research in Science, Engineering and Technology

(An ISO 3297: 2007 Certified Organization)

Vol. 6, Special Issue 11, May 2017

The logic diagram of the HSG unit is shown in Fig. 3(b). The logic circuits of CG_0 and CG_1 are improved to take an advantage of the fixed input-carry bits. The improved designs of CG_0 and CG_1 are shown in Fig. 3(c) and (d), respectively. The CS unit can be implemented by means of an n-bit 2-to-1 MUX. However, we discover from the truth table of the CS unit that carry words c^0_1 and c^1_1 follow a precise bit pattern. If $c^0_1(i) = '1'$, at that time $c^1_1(i) = 1$, irrespective of $s^0(i)$ and $c^0(i)$, for $0 \leq i \leq n - 1$. This quality is used for logic optimization of the CS unit. The improved design of the CS unit is shown in Fig. 3(e), which is collected of n-number of AND and OR gates. The final carry word c is gain from the CS unit. The most significant bit (MSB) of c is send to output as c_{out} , and $(n - 1)$ LSBs are XORed with $(n - 1)$ MSBs of half-sum (s^0) in the FSG [shown in Fig. 3(f)] to obtain $(n - 1)$ MSBs of final-sum (s). The least significant bit (LSB) of s^0 is XORed with c_{in} to obtain the LSB of s .

IV. PERFORMANCE ESTIMATION METHOD

A. Area Estimation Method

We have studied that all the gates to be prepared of 2-input AND, 2-input OR, and inverter (AOI). A 2input XOR is made up of 2-AND, 1- OR, and 2-NOT gates. The area of the 2-input AND, 2-input OR, and a NOT gate (shown in Table 1) are taken from the Synopsys Armenia Educational Department (SAED) 90-nm standard cell library datasheet for area estimation.

Table.1. Area Of AND, OR, And NOT Gates Given In The SAED 90-Nm Standard Cell Library Datasheet.

| AREA (μm^2) | AND-Gate | OR-Gate | NOT-Gate |
|--------------------|----------|---------|----------|
| | 7.37 | 7.37 | 6.45 |

In this project we estimate the entire number of AOI gate used by the different design. This information is found from the advanced HDL synthesis report after the execution of every design on Xilinx ISE design suit 12.2. The HDL synthesis report shows the how much number of 1-bit Adder, 2:1 Mux and XOR gates are used by each design. From this report we then analyze the total number of AOI gate used by every 1-bit Adder, 2:1 Mux and XOR gates in design. The area of a design is calculated using the following relations:

$$A = (a \cdot Na) + (r \cdot No) + (i \cdot Ni)$$

Where (Na, No, Ni) indicate the (AND, OR, NOT) gate counts of the complete design. Whereas (a, r, i) stand for the area of one (AND, OR, NOT) gate. We have calculated the (AOI) gate counts of every design for area estimation.

B. Delay Estimation Method

Here the delay for each design is taken from the Post-PAR Static Timing Report. In these report we get the Data Sheet Report which shows the delay among the Source Pad and Destination Pad.

- For the delay calculation of 16-bit CSLA we have taken the delay between the Pad no $(a < 15 >)$ to $(s < 15 >)$ which is final sum delay and $(a < 15 >)$ to c_{out} which is carry out delay.
- And for 32-bit CSLA we have taken the delay between the Pad no $(a < 31 >)$ to $(s < 31 >)$ which is final sum delay and $(a < 31 >)$ to c_{out} which is carry out delay.

V. SYNTHESIS RESULTS

To show the benefit of the proposed CSLA design in SQR-CSLA, we have shown the practical value of area and delay results of SQR-CSLA using the proposed CSLA design, conventional CSLA design and the BEC-based CSLA design for bit-widths 16 and 32 using Xilinx ISE design suit as shown in Table 2. Here is a variety of synthesis results obtained after the execution for each design.

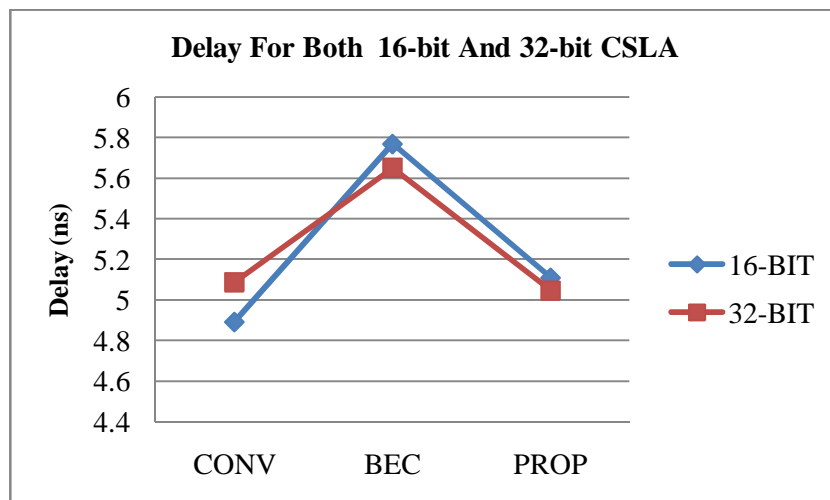
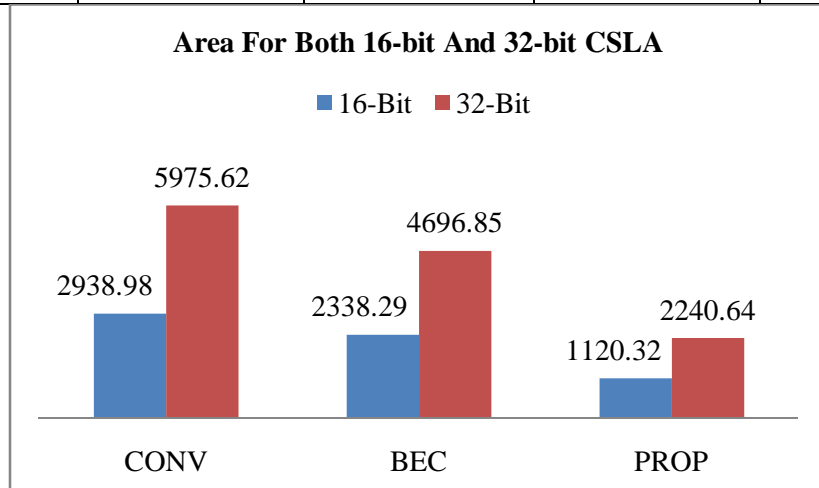
International Journal of Innovative Research in Science, Engineering and Technology

(An ISO 3297: 2007 Certified Organization)

Vol. 6, Special Issue 11, May 2017

Table 2. Practical Estimate of Area and Delay of the Proposed and Existing 16 and 32-bit CSLA.

| Design | Width (n) | Area (μm^2) | Delay (ns) | ADP (μm^2) |
|--------|-----------|--------------------------|------------|-------------------------|
| | | | Fs | |
| CONV | 16 | 2938.98 | 4.893 | 14.38 |
| | 32 | 5975.62 | 5.088 | 30.403 |
| BEC | 16 | 2338.29 | 5.769 | 13.48 |
| | 32 | 4696.85 | 5.650 | 26.537 |
| PROP | 16 | 1120.32 | 5.111 | 5.72 |
| | 32 | 2240.64 | 5.047 | 11.308 |



VI. CONCLUSION

We have estimated the logic function occupied in the conventional and BEC-based CSLAs to study the data dependence and to identify unneeded logic operations. We have eliminated all the unneeded logic operations of the conventional CSLA and proposed a new logic formulation for the CSLA. In the expected design, the carry select (CS) function is planned before the calculation of final-sum, which is different from the conventional approach. Carry words equivalent to input-carry '0' and '1' generated by the CSLA based on the proposed method follow a specific bit pattern, which is

International Journal of Innovative Research in Science, Engineering and Technology

(An ISO 3297: 2007 Certified Organization)

Vol. 6, Special Issue 11, May 2017

used for logic optimization of the CS unit. Fixed input bits of the CG unit are also used for logic optimization. Based on this, an optimized design for CS and CG units are obtained. By these optimized logic units, an efficient design is obtained for the CSLA. The proposed CSLA designs engage significantly less area and delay than the recently proposed BEC-based carry select adder. Due to the small carry output delay, the estimated CSLA design is an excellent nominee for the SQR T adder. The FPGA synthesis result shows that the existing BEC-based SQR T-CSLA design involves more area delay product than the proposed SQR T-CSLA, for different bit-widths.

REFERENCES

- [1] O. J. Bedrij, "Carry-select adder," IRE Trans. Electron. Comput., pp. 340–344, 1962.
- [2] J. Sklansky, "Conditional-Sum Addition Logic," IRE Trans. Electron. Comput., vol. EC-9, pp. 226–231, 1960.
- [3] T. Y. Ceiang and M. J. Hsiao, "Carry-select adder using single ripple carry adder," Electron. Lett., vol. 34, no. 22, pp. 2101–2103, Oct. 1998.
- [4] Y. Kim and L.-S. Kim, "64-bit carry-select adder with reduced area," Electron. Lett., vol. 37, no. 10, pp. 614–615, May 2001.
- [5] M. Alioto et al., "A Gate Level Strategy To Design Carry Select Adders," ISCAS 2004.
- [6] Behnam Amelifard et al. "Closing the Gap between Carry Select Adder and Ripple Carry Adder," Proceedings of the Sixth International Symposium on Quality Electronic Design (ISQED'05), 2005.
- [7] Y. He, C. H. Chang, and J. Gu, "An area-efficient 64-bit square root carry select adder for low power application," in Proc. IEEE Int. Symp. Circuits Syst., 2005, vol. 4, pp. 4082–4085.
- [8] B. Ramkumar, H.M. Kittur, and P. M. Kannan, "ASIC Implementation Of Modified Faster Carry Save Adder," Eur. J. Sci. Res., vol. 42, no. 1, pp. 53–58, 2010.
- [9] B. Ramkumar and H.M. Kittur, "Low-power and area-efficient carry-select adder," IEEE Trans. Very Large Scale Integr. (VLSI) Syst., vol. 20, no. 2, pp. 371–375, Feb. 2012.
- [10] I.-C. Wey, C.-C. Ho, Y.-S. Lin, and C. C. Peng, "An area-efficient carry select adder design by sharing the common Boolean logic term," in Proc. IMECS, 2012, pp. 1–4.
- [11] S. Manju and V. Sornagopal, "An efficient SQR T architecture of carry select adder design by common Boolean logic," in Proc. VLSI ICEVENT, 2013, pp. 1–5.
- [12] B. Parhami, Computer Arithmetic: Algorithms and Hardware Designs, 2nd ed. New York, NY, USA: Oxford Univ. Press, 2010.